

Soldering type 15-contacts female cable connector with backshell

RMC-E15F4S-LC5-M() ()

For PC Card

Vertical Housing for Cables

Soldering

Conforming to PCMCIA/JEITA



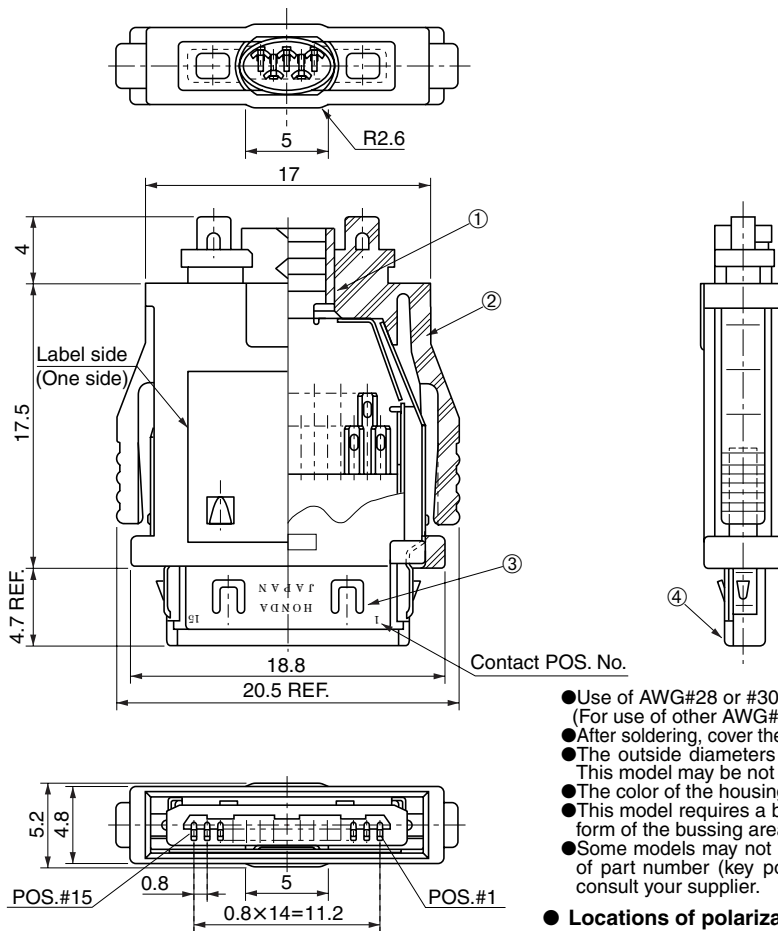
● Configuration of product Part No.

RMC- E 15 F4S- LC5- M () ()

- | | |
|--|--|
| ① Series name | ⑦ Forms and locations of keys |
| ② E: EMI-filtered | Forms: A: A type, B: B type |
| ③ No. of contacts: 15 | Locations: 12: 12, 13: 13, 23: 23, key-less |
| ④ F4S: Soldering type, female, for thin wire (AWG#30, #32) | ⑧ Insulator colors of male connectors |
| ⑤ LC5: Forms of housings, Outside diameter of cable is 3 - 3.5 mm. | Applicable only to models with the MB form of key |
| ⑥ M: One-piece molded key | (For the models with other key forms, these insulator colors are all black.) |
| | Blank: Brown, BK: Black |

	Forms of keys	Use*
A type		LAN
B type		MODEM

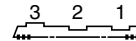
* Typical use is shown here. These types may also be applicable to other uses.



- Use of AWG#28 or #30 is recommended. (For use of other AWG#, consult the dealer.)
- After soldering, cover the soldered area with insulation such as shrink tube.
- The outside diameters of the cables are shown here only for reference. This model may be not applicable to some type of cables.
- The color of the housing is black.
- This model requires a bushing for assembly with a cable harness. For the form of the bussing area, because there is reference figure, inquire.
- Some models may not be quickly supplied depending on the configuration of part number (key position). For the availability of the model required consult your supplier.

● Locations of polarization keys

Part No.	Key location	Identification Examples	Mating connectors
RMC-E15F4S-LC5-M()	-	A	RMC-E(A)15MY-OM()-M() etc...
RMC-E15F4S-LC5-M()12	12	A12	RMC-E(A)15MY-OM()-M()3 etc...
RMC-E15F4S-LC5-M()23	23	A23	RMC-E(A)15MY-OM()-M()1 etc...
RMC-E15F4S-LC5-M()13	13	A13	RMC-E(A)15MY-OM()-M()2 etc...



● Components

①	Metal cover A
②	Cable cover
③	Metal cover B
④	Female connector

Mating connectors: Refer to the table shown

Tool: (Refer to page Tool-12)